

STANDARD ICE MOLD LINE-UP

1. Ice Mold

Description	Ice Ball 55	Ice Ball 60	Ice Ball 65	Ice Ball 70	Ice Ball 75	Ice Ball 80
Size(ϕ in mm)	ϕ 55	ϕ 60	ϕ 65	ϕ 70	ϕ 75	ϕ 80
Price(EXW JPY)	90,000	92,000	94,000	96,000	107,000	112,000

Description	Baseball 65	Soccer 55	Soccer 65	Rugby65	Rose 65	Rose 70
Size(ϕ in mm)	ϕ 65	ϕ 55	ϕ 65	ϕ 65x40	ϕ 65x63	ϕ 70x68
Price(EXW JPY)	168,000	158,000	168,000	168,000	163,000	168,000

Description	Diamond Cut60	Diamond Cut65	Diamond Cut70
Size(ϕ in mm)	ϕ 60×H45	ϕ 65×H50	ϕ 70×H55
Price(EXW JPY)	108,000	113,000	116,000

Note: Diamond Cut, Diamond Stone, Ice Ball 75 and 80 have no ice releasing lever equipped.

Description	Diamond Stone65	Diamond Stone75	Diamond Stone80	Heart 65	Star 65
Size(ϕ in mm)	ϕ 65×H65	ϕ 75×75	ϕ 80×H80	ϕ 65×H63	ϕ 65×H63
Price(EXW JPY)	113,000	123,000	133,000	145,000	145,000

2. Ice Mold Mini

Description	Ice Ball 30	SoccerBall30	Snow Flake	Water Molecule
Size(ϕ in mm)	ϕ 30	ϕ 30	ϕ 30×H10	ϕ 35×H25
Price(EXW JPY)	16,500	22,000	19,000	17,500

3. Others

Description	Water Tray	Additional Ice Block Making containers
use	For Item 1:Ice Mold	For Item 1:Ice Mold
Price(EXW JPY)	8,000	1 pack of 12 ea = 6,500

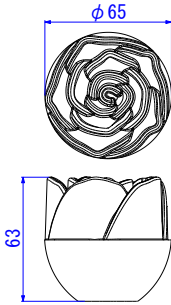
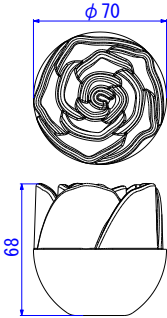
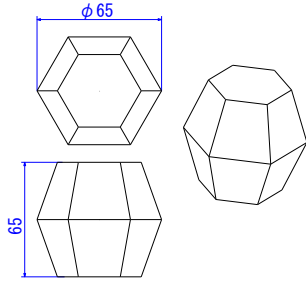
Description	Ice Stamp	
	HAPPY	☆LOVE☆
Price(EXW JPY)	55,000	

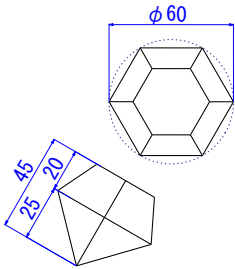
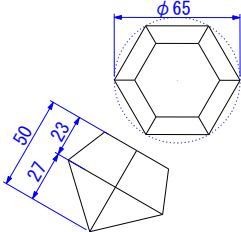
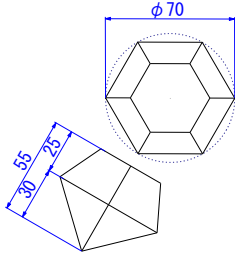
<https://picasaweb.google.com/103967658195172026845/20110325StampLoveHappy#>

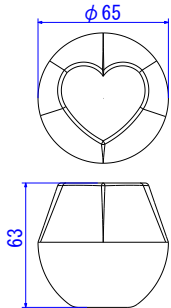
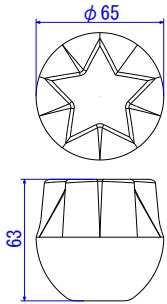
Customized logos or characters will be designed upon request.

The information contained herein is as of **Apr, 2020** and subject to change without any prior notice.
Taisin Production Co., Ltd
Chiba, Japan

4. Shape

Rose 65	Rose 70	Daimond Stone 65
		

Diamond cut 60	Diamond cut 65	Diamond cut 70
		

Heart 65	Star 65
	

(Special Note)

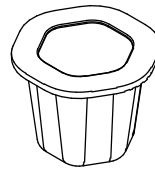
1. Items 1 through 2 can produce approx. 30 shaped ice per hour depending on the size of ice and ambient temperature.
2. The standard package of each product will be as follows:

2.1) Item 1: Ice Mold

Main Mold (two hemispheres)	1
Base Unit	1
Plastic Ice-Block Making Container*	2
Instruction Manual	1

* This is a plastic container to make an ice block in a refrigerator or freezer which is equivalent to an ice tray.

The container has a lid and can be stacked for efficient use of the space in a refrigerator or freezer.



Additional containers can be purchased by pack of 12 ea.

Please access to the following web site to see the video.

http://www.taisn-ss.co.jp/icemold/english/movie/movie_02.html

2.2) Item 2: Ice Mold Mini

Main Mold(two hemispheres)	1
Ice Tray	2
Instruction Manual	1